

MACCHINA A BATTERIA - BATTERY MACHINE

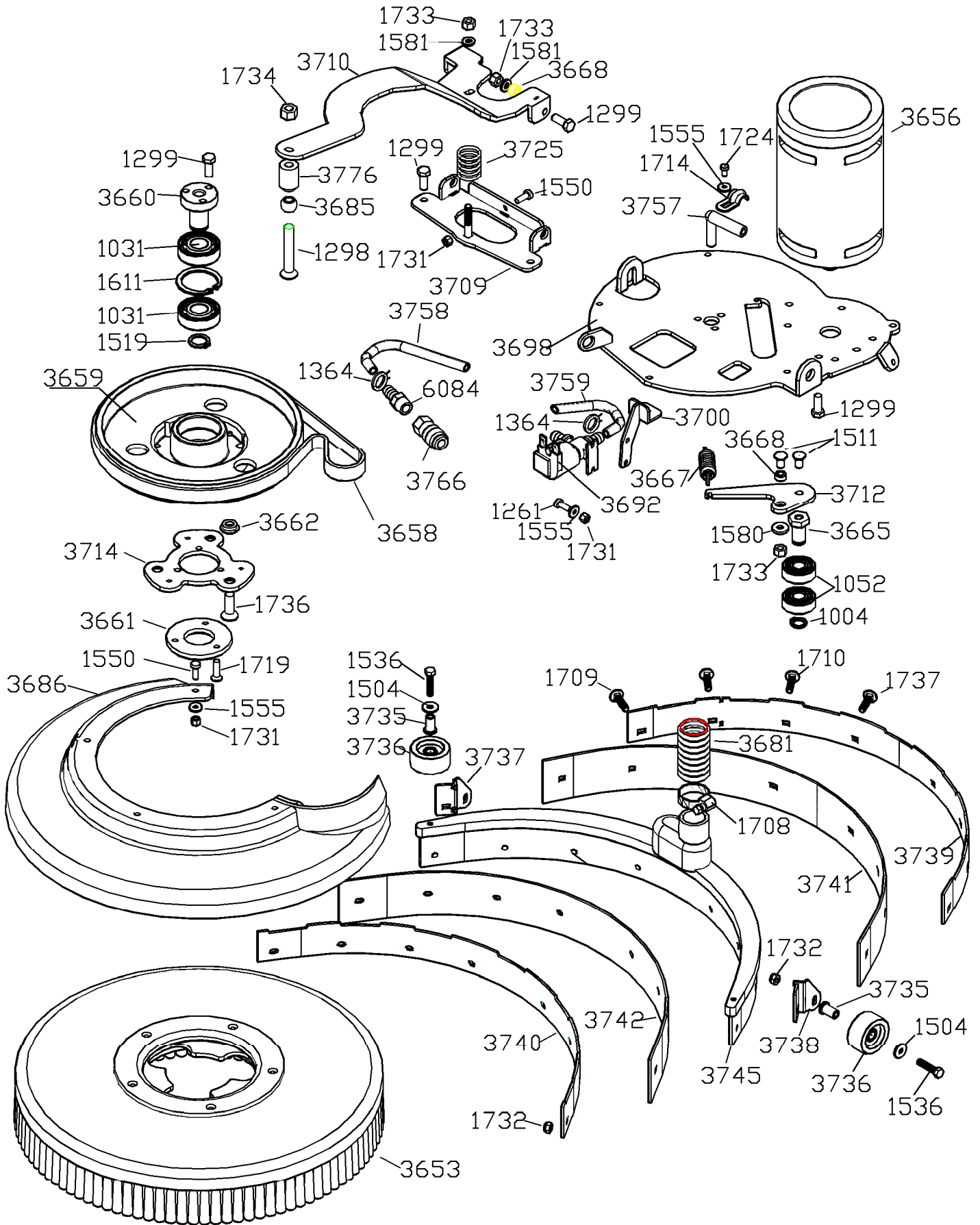
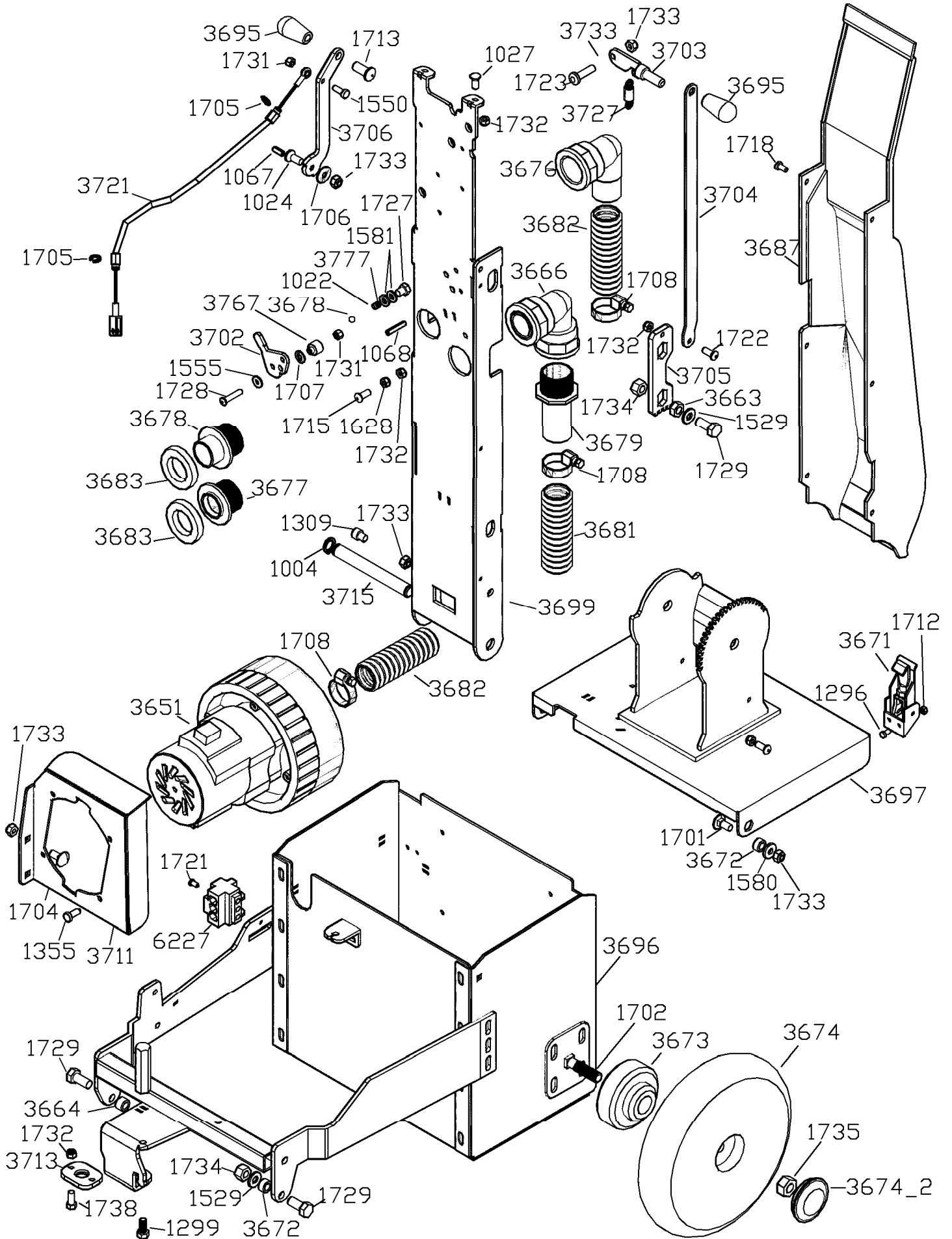


TAVOLA - TABLE

MACCHINA A BATTERIA - BATTERY MACHINE



MACCHINA A BATTERIA - BATTERY MACHINE

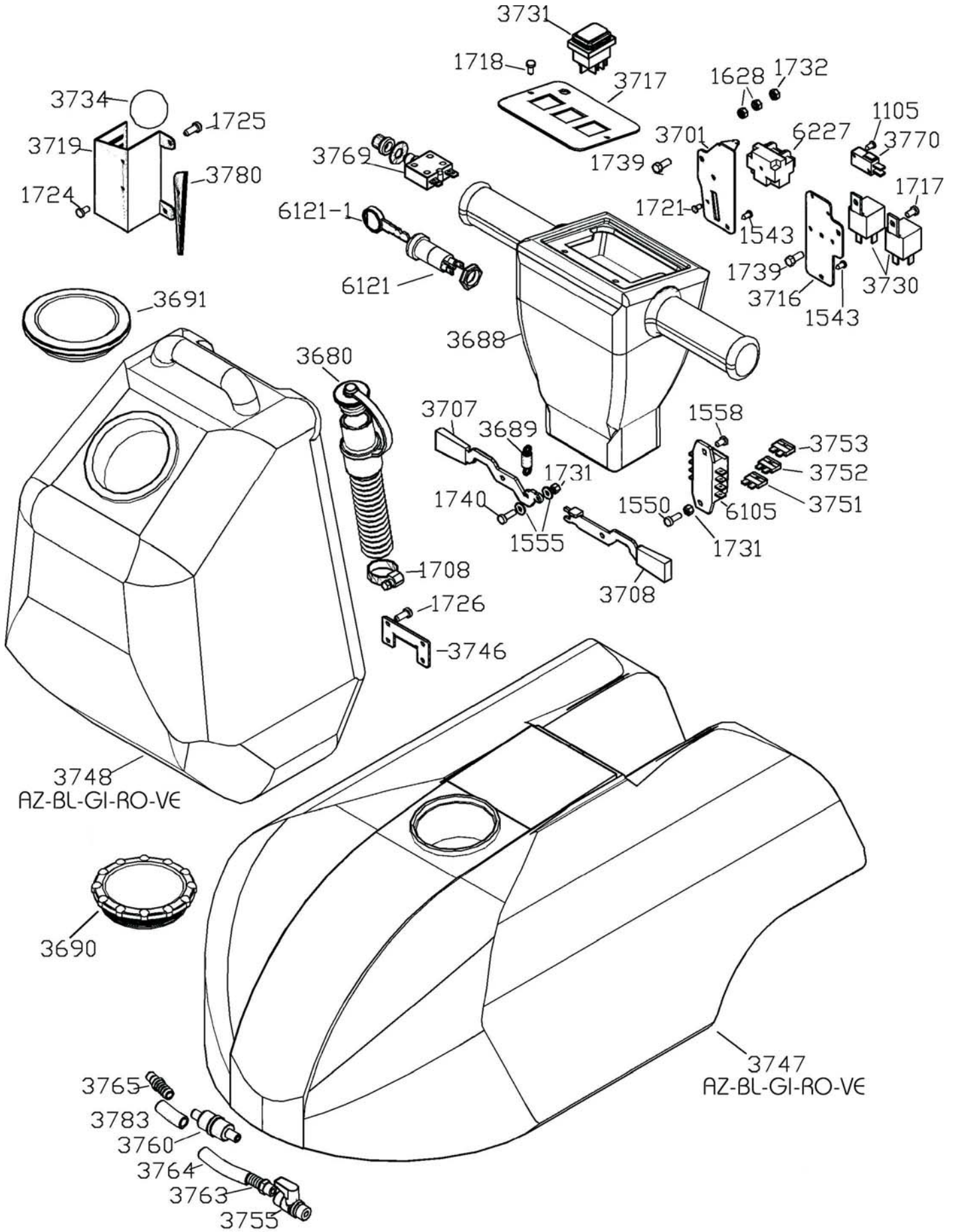
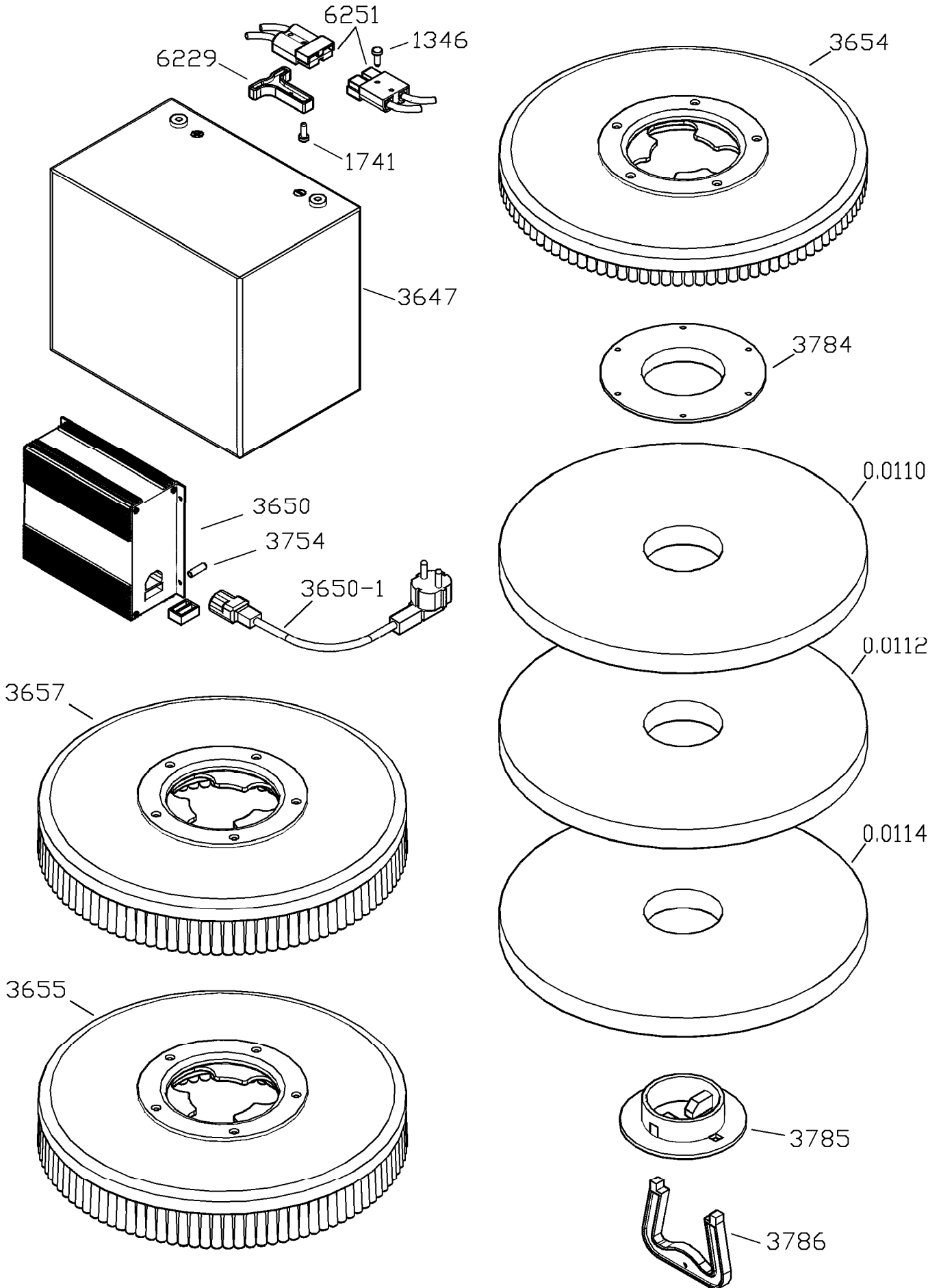


TAVOLA - TABLE

MACCHINA A BATTERIA - BATTERY MACHINE



PARTI DI RICAMBIO - SPARE PARTS

CODICE CODE	Q. TA' Q.TY	TAV. TAB.		
				
0.0110	1	4	DISCO PAD D.355 14" NERO ALTO	D.355 14" BLACK ABRASIVE DISC
0.0112	1	4	DISCO PAD D.355 14" VERDE ALTO	D.355 14" GREEN ABRASIVE DISC
0.0114	1	4	DISCO PAD D.355 14" BIANCO ALTO	D.355 14" WHITE ABRASIVE DISC
1004	3	1,2	SEEGER E D 9-RS RADIALE 6799	D 9-RS 6799 RADIAL EXTERNAL SEEGER
1022	1	2	SFERA 3/16"D.4,7 CL,S4	3/16" D.4,7 CL,S4 SPHERE
1024	1	2	VITE BRUGOLA VSP M.6X16 ZNT 5933	VSP M.6X16 ZNT 5933 SCREW
1027	2	2	VITE BRUGOLA VSP M.5X14 ZNT 5933	VSP M.5X14 ZNT 5933 SCREW
1031	2	1	CUSCINETTO 6004 2RS 20-42-12	6004 2RS 20-42-12 BEARING
1052	2	1	CUSCINETTO 6201 2RS EMQ-HT200 12	6201 2RS EMQ-HT200 12 BEARING
1067	1	2	SPINA ELASTICA D.4X12 INOX 6873	D.4X12 6873 STAINLESS STEEL ELASTIC THORN
1068	1	2	SPINA ELASTICA D.4X24 INOX 6873	D.4X24 6873 STAINLESS STEEL ELASTIC THORN
1105	2	3	VITE AUT.KF 2,9 X 16 ZNT	KF 2 9X16 ZNT SCREW
1261	2	1	VITE TC CROCE M.4 X 8 INOX	TC M.4X8 STAINLESS STEEL SCREW
1296	4	2	VITE TC CROCE M.3 X 8 ZNT	TC M.3X8 ZNT SCREW
1298	1	1	VITE VSP M.8 X 55 ZNT	VSP M.8X55 ZNT SCREW
1299	3	1,2	VITE TE M.6 X 14 ZNT	TE M.6X14 ZNT SCREW
1309	1	2	VITE TCEI M.6 X 8 ZNT	TCEI M.6X8 ZNT SCREW
1346	2	4	VITE AUTOF.KF D.4.2 X 13 ZNT UNI	KF 4,2X13 ZNT UNI SCREW
1355	4	2	VITE AUTOF.KF 4.8 X 19 ZNT	KF 4,8X19 ZNT UNI SCREW
1364	2	1	FASCETTE BIF D 14 FA/10140 ZNT	D 14 FA/10140 ZNTWRAPPER
1504	4	1	RONDELLA PIANA D.5X15 INOX UNI	D.5X15 UNI STAINLESS STEEL PLAIN WASHER
1511	2	1	VITE VSP M6X12 INOX 5933	VSP M.6X12 5933 STAINLESS STEEL SCREW
1519	1	1	SEEGER E D.20 DIN 471 ZNT	D.20 DIN 471 ZNT EXTERNAL SEEGER
1529	2	2	RONDELLA PIANA D.8 X 16 INOX	D.8X16 STAINLESS STEEL WASHER
1536	4	1	VITE TE M5 X 25 ZNT	M5X25 ZNT SCREW
1543	4	3	VITE AUT.T.E.7976 F.R.3,9 X 6,5	TE 7976 FR 3,9X6,5 SCREW
1550	8	1,2,3	VITE TC CROCE M.4X14 INOX DIN798	TC M4X12 DIN 798 STAINLESS STEEL SCREW
1555	8	1,2,3	RONDELLA PIANA M 4X12 INOX	D 4X12 6873 STAINLESS STEEL WASHER
1558	1	3	VITE AUT.T.E. 7976 F.R. 3,9X9,5	TE 7976 FR 3,9X9,5 SCREW
1580	3	1,2	RONDELLA PIANA D.6X18 INOX	D.6X18 STAINLESS STEEL WASHER
1581	2	1,2	RONDELLA D.6 INOX	D.6X12 STAINLESS STEEL WASHER
1611	1	1	ANELLO SEEGER I D.42 DIN 472	D.42 DIN 472 INTERNAL SEEGER
1628	3	2,3	DADO M.5 ZNT UNI 5588	M5 ZNT UNI 5588 NUT
1701	2	2	VITE TT-QST M 6 X 16 ZNT UNI 573	TT-QST M6X16 ZNT UNI 5731 SCREW
1702	2	2	VITE TT-QST M.10 X 45 ZNT 5731	TT-QST M10X45 ZNT UNI 5731 SCREW
1704	2	2	VITE TT-QST M 6 X 12 ZNT UNI5731	TT QST M6X12 ZNT UNI 5731 SCREW
1705	2	2	SEEGER E D.5-RS RADIALE 6799	D.5 RS 6799 RADIAL EXTERNAL SEEGER
1706	1	2	MOL.A TAZZA 18 X 6.2 X 0.7 2093	18X6,2X0,7 - 2093 SPRING
1707	2	2	MOL.TAZZA 6.2 X 12.5 X 0.7 2093	12,5X6,2X0,7 - 2093 SPRING
1708	5	1,2,3	FASCETTA A VITE 20/32 NORD M20 Z	20/32 NORD M20 Z JUBILEE CLIP
1709	2	1	VITE T/T Q.S.T.M.5 X 16 ZNT	TT-QST M5X16 ZNT UNI 5731 SCREW
1710	2	1	VITE T/T Q.S.T M.5 X 25 ZNT	TT-QST M5X25 ZNT UNI 5731 SCREW
1712	4	2	DADO BLOCK M3 ZNT	M3 ZNT BLOCK NUT
1713	1	2	VITE TBEI M.8 X 20 ZNT ISO 7380	TBEI M8X20 ZNT ISO 7380 SCREW
1714	1	1	GRAFFETTA MET.D.12-13 GW50812	D.12-13 GW50812 METAL STAPLE
1715	1	2	VITE TC CROCE M.5 X 20 ZNT	TC M5X20 ZNT SCREW
1717	2	3	VITE AUTOF. CROCE 7981 BZ 3,9 X 6,5 ZNT	7981 BZ 3,9X6,5 ZNT SCREW
1718	8	2,3	VITE AUTOF. CROCE 7981 BZ 3,9 X 9,5 ZNT	7982 BZ 3,9X9,5 ZNT SCREW
1719	3	1	VITE VSP M.5 X 20 ZNT	VSP M5X20 ZNT SCREW

PARTI DI RICAMBIO - SPARE PARTS

CODICE CODE	Q. TA' Q.TY	TAV. TAB.		
				
1721	2	2,3	VITE AUTOF.KF 2.9 X 9.5 7981 ZNT	KF 2,9X9,5 7981 ZNT SCREW
1722	1	2	VITE TBEI M.5 X 14 ZNT ISO 7380	TBEI M5X14 ZNT ISO 7380 SCREW
1723	1	2	VITE TC CROCE M 6 X 25 ZNT	TC M6X25 ZNT SCREW
1724	3	1,3	VITE AUTOF.CROCE 7981 BZ 3.9 X 6	7981 BZ 3,9X6 ZNT SCREW
1725	2	3	VITE AUTOF.CROCE 7981 BZ 3.9 X 1	7982 BZ 3,9X1 ZNT SCREW
1726	4	3	VITE AUTOF.TC D.4.2 X 16 ZNT UNI	TC M4,2X16 ZNT UNI SCREW
1727	1	2	VITE TE M.6 X 8 ZNT	TE M6X8 ZNT SCREW
1728	1	2	VITE TBEI M.4 X 25 ZNT ISO 7380	TBEI M4X25 ZNT ISO 7380 SCREW
1729	2	2	VITE TE M.8 X 20 ZNT 8.8	TE M8X20 ZNT 8.8 SCREW
1731	14	1,2,3	DADO BLOCK M.4 ZNT DIN 985	M4 ZNT DIN 985 BLOCK NUT
1732	15	1,2,3	DADO BLOCK M.5 ZNT DIN 985	M5 ZNT DIN 986 BLOCK NUT
1733	12	1,2	DADO BLOCK M.6 ZNT DIN 985	M6 ZNT DIN 987 BLOCK NUT
1734	5	1,2	DADO BLOCK M.8 ZNT DIN 985	M8 ZNT DIN 988 BLOCK NUT
1735	2	2	DADO BLOCK M.10 ZNT DIN 985	M10 ZNT DIN 989 BLOCK NUT
1736	3	1	VITE VSP M.8 X 25 ZNT	VSP M8X25 ZNT SCREW
1737	2	1	VITE T/T Q.S.T M.5 X 30 ZNT	TT -QST M5X30 ZNT SCREW
1738	2	2	VITE TE M.5 X 14 ZNT	TE M5X14 ZNT SCREW
1739	1	3	VITE TE M 5 X 18 ZNT	TE M5X18 ZNT SCREW
1740	1	3	VITE TC M 4 X 10	TC M4X10 ZNT SCREW
1741	2	4	VITE AUTOF. D.3,9 X 16 ZNT	M3,9X16 ZNT SCREW
3647	1	4	BATT.12V 80A AGM (ZGL12-80A)	12V 80A AGM (ZGL12-80A) BATTERY
3650	1	4	CARICA BATT.CBHD1-LBF 12V 8A X L	CBHD1-LBF 12V 8A BATTERY CHARGER
3650/1	1	4	CAVO ALIM. X CARICA BATTERIA CBHD1-LBF 8A	BATTERY CHARGER FEEDING CABLE
3651	1	2	MOTORE ASP.PERIF.12V-DC-TH29 200	12V - DC - TH29 200 PERIPHERAL ASPIR. MOTOR
3653	1	1	SPAZZOLA LAVARE CO 355L 0 65 F5Z	CO 355L 0 65 F5Z BRUSH DISC
3654	1	4	DISCO TRASCINATORE CO-355L 1,0 F5Z	CO-355L 1 F5Z PAD HOLDER DISC
3655	1	4	SPAZZOLA TYNEX CO-355 L	CO-355L TYNEX DISC
3656	1	1	MOTORE 12V 250W GIRI 1400 ALB.D.	12V 250W RPM1400 BRUSH MOTOR
3657	1	4	SPAZZOLA LAVARE CO355M 0,45 F5Z	CO-355M 0.45 F5Z BRUSH DISC
3658	1	1	CINGHIA POLI PV 790-J-6	POLY PV 790-J-6 BELT
3659	1	1	CORPO VOLANO D.200 COMPLETO DI S	D.200 FLYWHEEL BODY
3660	1	1	PERNO SUPP.VOLANO AVP (BRUNITURA	AVP FLYWHEEL BODY SUPPORT PIN
3661	1	1	CENTRAGGIO SPAZZOLA	BRUSH INSERT
3662	3	1	DISTANZ.X FARFALLA PR-80 D.18	PR-80 D.18 SPACER
3663	1	2	RULLINO CRICCH.ESAG.CH 13	CH.13 ESAGONAL NEEDLE
3664	1	2	BOCCOLA DX BASE MOT.D.12 L.7.5	D.12 L.7,5 BUSHING
3665	1	1	PERNO X TENDICINGH.ESAG.CH.17 X	CH.17 ESAGONAL BELT TIGHTENER PIN
3666	1	2	RACCORDO CURVO F-F 1"	F-F 1" CURVED UNION
3667	1	1	MOLLA TENDICING.TR F.1,5 14.5 LE	TR F.1,5 14,5 LE BELT TIGHTENER SPRING
3668	1	1	BOCC.TENDICING-TERGI AVP D.10 X	AVP D.10 BELT TIGHTENER-WIPER BUSHING
3671	2	2	CHIUSURA A LEVA REGOLAB NICH SEN	ADJUSTABLE CLOSING LEVER
3672	2	2	BOCCOLA X COPERCHIO D.12 X 5.8	D.12X5,8 COVER BUSHING
3673	2	2	SUPP.RUOTA AVP D.35 X 17 ZNT GIA	AVP D.35X17 ZNT WHEEL SUPPORT
3674	2	2	RUOTA D.200 BOX 2 FORO 10 2X2RS	D.200 BOX F10 2X2RS WHEEL
3674/2	2	2	COPRIMOZZO G-48 GRIGIO 7016	GREY G-48 7016 WHEEL HOLE COVER
3676	1	2	RACCORDO CURVO X ASPIR.G1 D.28.5	G1 D.28,5 ASPIRATOR CURVED UNION
3677	1	2	PORTAGOMMA DIR.G1 D.28 X TERGI	G1 D.28 WIPER HOSE HOLER
3678	1	2	PORTAGOMMA DIR.G1 D.28 X ASPIR.	G1 D.28 ASPIRATOR HOSE HOLER
3679	1	2	RACC PORTAG DRITTO 1" M D 25	1"MD25 HOSE HOLER UNION

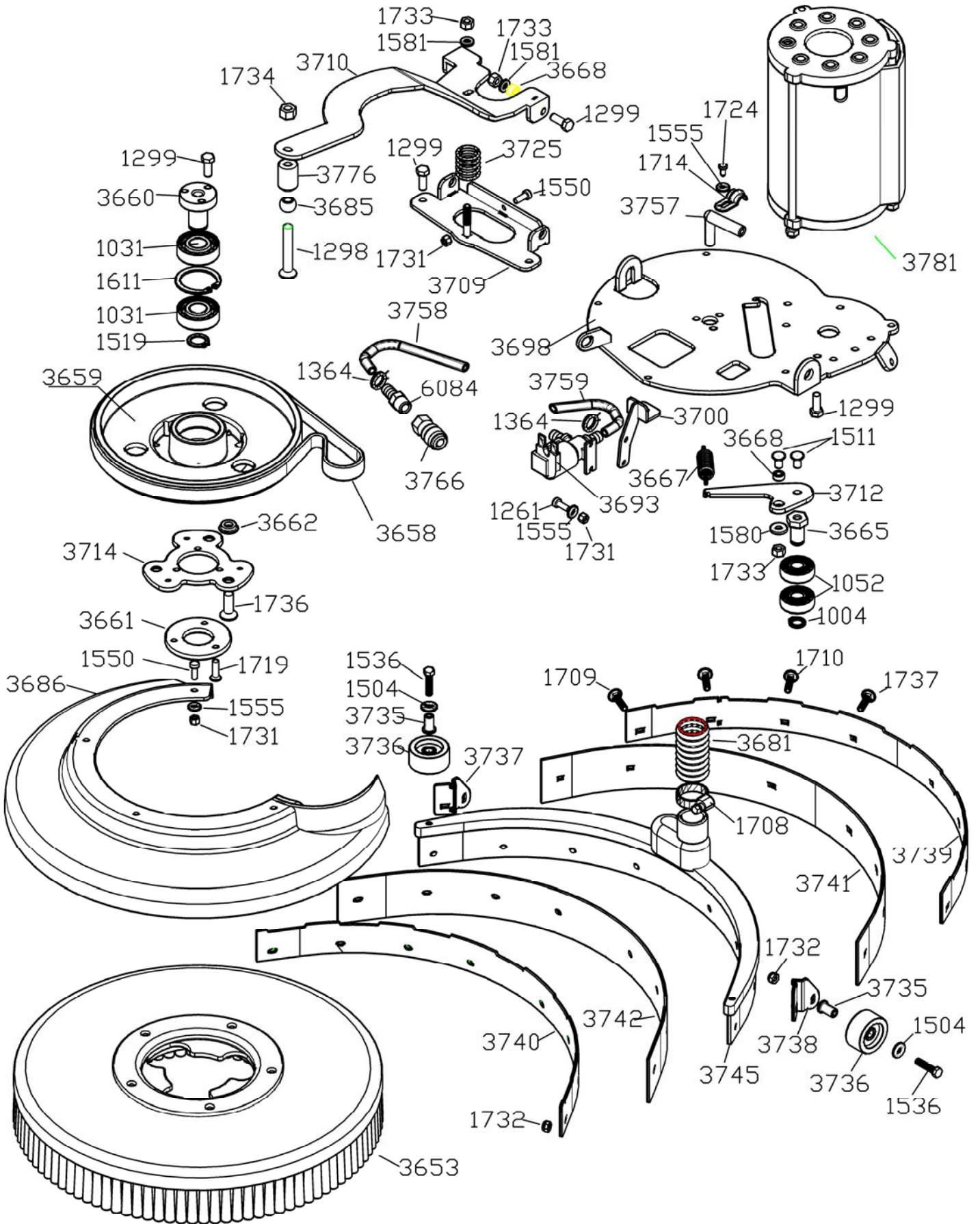
PARTI DI RICAMBIO - SPARE PARTS

CODICE CODE	Q. TA' Q.TY	TAV. TAB.		
				
3680	1	3	TUBO FLESS.SCARICO D.25mm L.500	D.25 L.500 UNLOAD FLEXIBLE PIPE
3681	1	1,2	TUBO FLESS.TERGI D.25 L.750	D.25 L.750 WIPER FLEXIBLE PIPE
3682	1	2	TUBO FLESS D.28 X ASPIRATORE L.7	D.25 L.700 ASPIRATOR FLEXIBLE PIPE
3683	2	2	GUARN.GOMMA SPUGNA AD.D.INT.29 D	AD D.29 SPONGE RUBBER GASKET
3685	1	1	SNODO TERGI D.14.8 X 10	D.14,8X10 WIPER ARTICULATED JOINT
3686	1	1	CARTER SPAZZ.NERO GOFFRATO SP.4	SP.4 BRUSH BLACK CARTER
3687	1	2	CARTER POST.COPERT.MANICO NERO G	POSTERIOR HANDLE BLACK CARTER
3688	1	3	IMPUGN.COMANDI POLIET.LINEARE NE	HANDLE HANDGRIP
3689	1	3	MOLLA X LEVE TR F.0,8 DE.7.5-CM.	TR F.0,8 DE7,5 LEVER SPRING
3690	1	3	COPERCHIO FIL.SERB.SOLUZIONE A/P	SOLUTION TANK COVER
3691	1	3	COPERCHIO SERB. RECUPERO A/S	RECOVERY TANK COVER
3692	1	1	EV SERIE 800 IN/OUT PG 10mm(INT.	S800 IN/OUT PG 10mm SOLENOID VALVE
3695	2	2	POMELLO PM3/36/FFC-M8	PM3/46/FFC-M8 KNOB
3696	1	2	TELAIO E VANO BATT.	CHASSIS AND BATTERY VAIN
3697	1	2	COPERCHIO BATTERIA	BATTERY VAIN COVER
3698	1	1	BASE ANT.X MOT.SPAZZ.	BRUSH MOTOR BASE
3699	1	2	SOSTEGNO MANICO	HANDLE SUPPORT
3700	1	1	SUPP.ELETTROV.A TELAI0	SOLENOID VALVE SUPPORT
3701	1	3	SUPP.POLO-MOLLA	SPRING SUPPORT
3702	1	2	ECCENTRICO X SERB.AS	RECOVERY TANK ECCENTRIC
3703	1	2	LEVA COM.CRICCHETTO	COMMAND LEVER
3704	1	2	COLL.LEVA A CRICCHETTO	UNION LEVER
3705	1	2	CRICCHETTO DENTATO	TOOTHED LEVER
3706	1	2	LEVA SOLLEV. TERGI	WIPER LIFTING LEVER
3707	1	3	LEVA COM.DX PULS.ARRESTO	SX ARREST SWITCH LEVER
3708	1	3	LEVA COM.SX PULS.ARRESTO	DX ARREST SWITCH LEVER
3709	1	1	STAFFA X TERGI	WIPER BRACKET
3710	1	1	TIMONE TERGI	WIPER RUDDER
3711	1	2	SUPP.ASPIRATORE	ASPIRATOR SUPPORT
3712	1	1	SUPP TENDICINGHIA	BELT TIGHTENER SUPPORT
3713	1	2	PIASTRINA SNODO TERGI	WIPER ARTICULATED JOINT PLATE
3714	1	1	FARFALLA X TRASCINAMENTO	ENTRAINMENT BUTTERLY
3715	1	2	PERNO ROT.MANICO D.12	D.12 HANDLE ROTATION PIN
3716	1	3	SUPP.RELE-MICRO	RELAIS - MICRO SUPPORT
3717	1	3	QUADRO COMANDI MODELLO BATTERIA	BATTERY MODEL COMMANDS PANEL
3719	1	3	SCATOLA GALLEGGIANTE INOX	STAINLESS STEEL CRAFT BOX
3721	1	2	CAVO SOLL.TERGI COMPLETO	WIPER LIFTING CABLE
3725	1	1	MOLLA X TERGI F.1.5 D.12 LL 31 S	F.15 D.12 LL 31 S WIPER SPRING
3727	1	2	MOLLA X CRICCH.TR F.1,2 D.9.5 CM	F.1,2 D.9,5 CM LEVER SPRING
3730	2	3	RELE CON SUPP.12V 40A	12V40A RELAIS WITH SUPPORT
3731	3	3	INTERR. BIP. LUM. 24V	24 V BRIGHT SWITCH
3733	1	2	DISTANZ.FISS.SERB.A/S ESAG.CH.10	CH.10 ESAGONAL RECOVERY TANK SPACER
3734	1	3	GALLEGGIANTE PALLINA D.38	D.38 FLOATING BALL
3735	4	1	BOCCOLA X RUOTA TRAF.AVP D.12 ZN	AVP D.12 ZN WHEEL BUCKLE
3736	4	1	RUOTA D.38/40 PLASTICA	D.38/40 PLASTIC WHEEL
3737	1	1	SUPPORTO DX RUOTA INOX	SX STAINLESS STEEL WHEEL SUPPORT
3738	1	1	SUPPORTO SX RUOTA INOX	DX STAINLESS STEEL WHEEL SUPPORT
3739	1	1	FASCIA POST.TERGI INOX	POSTERIOR STAINLESS STEEL WIPER BAND
3740	1	1	FASCIA ANT.TERGI INOX	ANTERIOR STAINLESS STEEL WIPER BAND

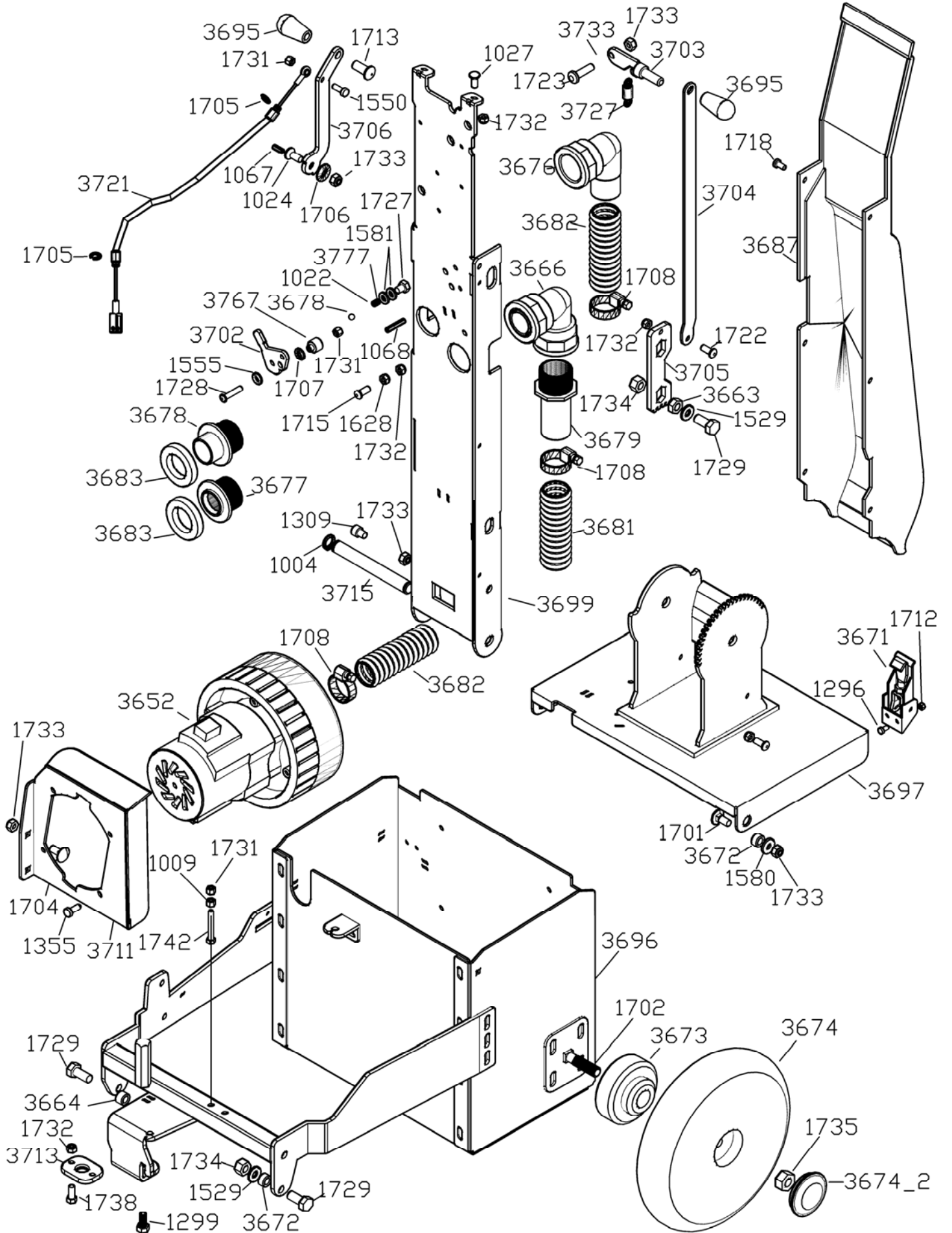
PARTI DI RICAMBIO - SPARE PARTS

CODICE CODE	Q. TA' Q.TY	TAV. TAB.		
				
3741	1	1	GOMMA TERGI POST SP.2 ROSSA	SP.2 RED POSTERIOR WIPER RUBBER
3742	1	1	GOMMA TERGI ANT.SP.2 ROSSA	SP.2 RED ANTERIOR WIPER RUBBER
3743	1	1	GOMMA TERGI POST SP.2 POLIURETANO	SP.2 POLIURETAN POSTERIOR WIPER RUBBER
3744	1	1	GOMMA TERGI ANT SP.2 POLIURETANO	SP.2 POLIURETAN ANTERIOR WIPER RUBBER
3745	1	1	CORPO TERGI ALL.	ALLUMINIUM WIPER BODY
3746	1	3	APPOGGIO SERBATOIO A/S INOX	STAINLESS STEEL RECOVERY TANK SUPPORT
3747AZ	1	3	SERBATOIO SOLUZ.A/P AZZURRO	LIGHT-BLUE SOLUTION TANK
3747BL	1	3	SERBATOIO SOLUZ.A/P BLU	BLUE SOLUTION TANK
3747GI	1	3	SERBATOIO SOLUZ.A/P GIALLO	YELLOW SOLUTION TANK
3747RO	1	3	SERBATOIO SOLUZ.A/P ROSSO	RED SOLUTION TANK
3747VE	1	3	SERBATOIO SOLUZ.A/P VERDE	GREEN SOLUTION TANK
3748AZ	1	3	SERBATOIO RECUP.A/S AZZURRO	LIGHT-BLUE RECOVERY TANK
3748BL	1	3	SERBATOIO RECUP A/S BLU	BLUE RECOVERY TANK
3748GI	1	3	SERBATOIO RECUP.A/S GIALLO	YELLOW RECOVERY TANK
3748RO	1	3	SERBATOIO RECUP.A/S ROSSO	RED RECOVERY TANK
3748VE	1	3	SERBATOIO RECUP.A/S VERDE	GREEN RECOVERY TANK
3751	1	3	FUSIBILE UNIVAL 2 AMP	UNIVAL 2A FUSE
3752	1	3	FUSIBILE UNIVAL 5 AMP	UNIVAL 5A FUSE
3753	1	3	FUSIBILE UNIVAL 20 AMP	UNIVAL 20A FUSE
3755	1	3	VALV.SFERA 1/4 M 1/8 F 40101800G	1/4 M 1/8 F 40101800G SPHERE VALVE
3757	1	1	CURVA X TUBIC.PERNO VOLANO	FLYWHEEL PIVOT PIPE CURVE
3758	1	1	TUBIC.SOL.ATT.RAPID.A ELETTROVAL	RAPID ATTACH-VALVE SOLUTION PIPE
3759	1	1	TUB.SOLUZ.ELETTROV.A VOLANO	VALVE-FLYWHEEL SOLUTION PIPE
3760	1	3	FILTRO COD. NV-99.001	COD. NV-99.001 FILTER
3763	1	3	PORTAGOM.M.CONICO 1/8 D.9 373617	1/8 D.9 373617 CONIC HOSE HOLER
3764	1	3	TUBICINO RUB-ATT.RAP.D.8/12 L.15	D.8/12 L.15 FAUCET PIPE
3765	1	3	INNESTO PORTAG.RESCA 8 SERIE 215	8 S215 HOSE HOLER GRAFT
3766	1	1	PRESA ATT.FEMMINA 1/4 SERIE 112	1/4 S112 F TAKING
3767	1	2	PERNO LEVA SERB.A/S AVP D.12 X 1	AVP D.12X1 LEVER PIN
3769	1	3	INTERRUT.TERM.K 700 35A	K700 35A THERMAL INTERRUPTER
3770	1	3	MICRO INTERRUTTORE 16A 230V	16A 230V MICRO INTERRUPTER
3776	1	1	DISTANZ.SNODO ZNT	ARTICULATED JOINT SPACER ZNT
3777	1	2	MOLLA FILO D.0.8 D.4.3 L.6 C.72	D.0,8 D.4,3 L.6 C.72 SPRING
3780	1	3	DEFLETTORE ASP. TERGI INOX	STAINLESS STEEL ASPIRATION DEFLECTOR
3783	1	3	TUBO TRASPARENTE D. 6/9 L.60	D.6/9 L.60 PIPE
3784	1	4	CORPO FILETTATO FEMMINA PER TRASCINAT.	PAD HOLDER DISC FEMALE BODY HANDLE
3785	1	4	CORPO FILETTATO MASCHIO PER TRASCINAT.	PAD HOLDER DISC MALE BODY
3786	1	4	MANIGLIA X INSER.CORPO.FIL.FEMM. X TRASCIN.	PAD HOLDER DISC FEMALE BODY HANDLE
6084	1	1	PORTAGOMMA M.CONICO 1/4 D.9	M1/4 D.9 CONIC HOSE HOLER
6105	1	3	PORTAFUSIBILE 4 VIE	4 WAYS FUSE HOLDER
6121	1	3	INTERUTTORE A CHIAVE 0-1 ESTRAZI	KEY SWITCH 0-1
6121/1	1	3	CHIAVE	KEY SWITCH 0-1
6227	2	2,3	MORSETTIERA UNIP.PIU VIE Z16-3D	Z16-3D ELECTRICAL CLAMP
6229	1	4	MANIGLIA ROSSA PER SR 50 A T	SR 50 T RED HANDLE
6251	2	4	CONNETT.ROSSO SR50R X CAV.16 mm2	SR50R C16mm2 RED CONNECTOR

MACCHINA A CAVO - CABLE MACHINE



MACCHINA A CAVO - CABLE MACHINE



MACCHINA A CAVO - CABLE MACHINE

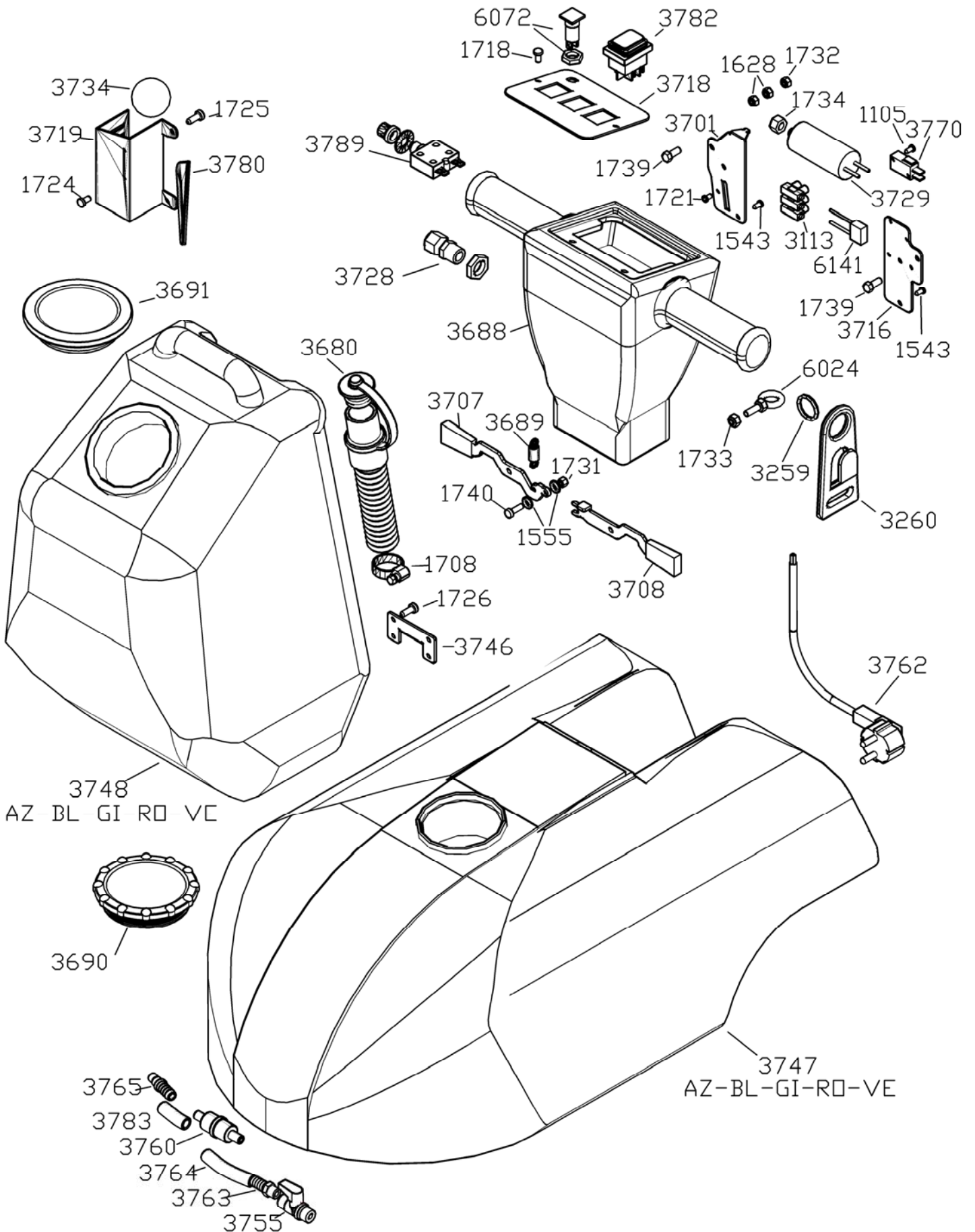
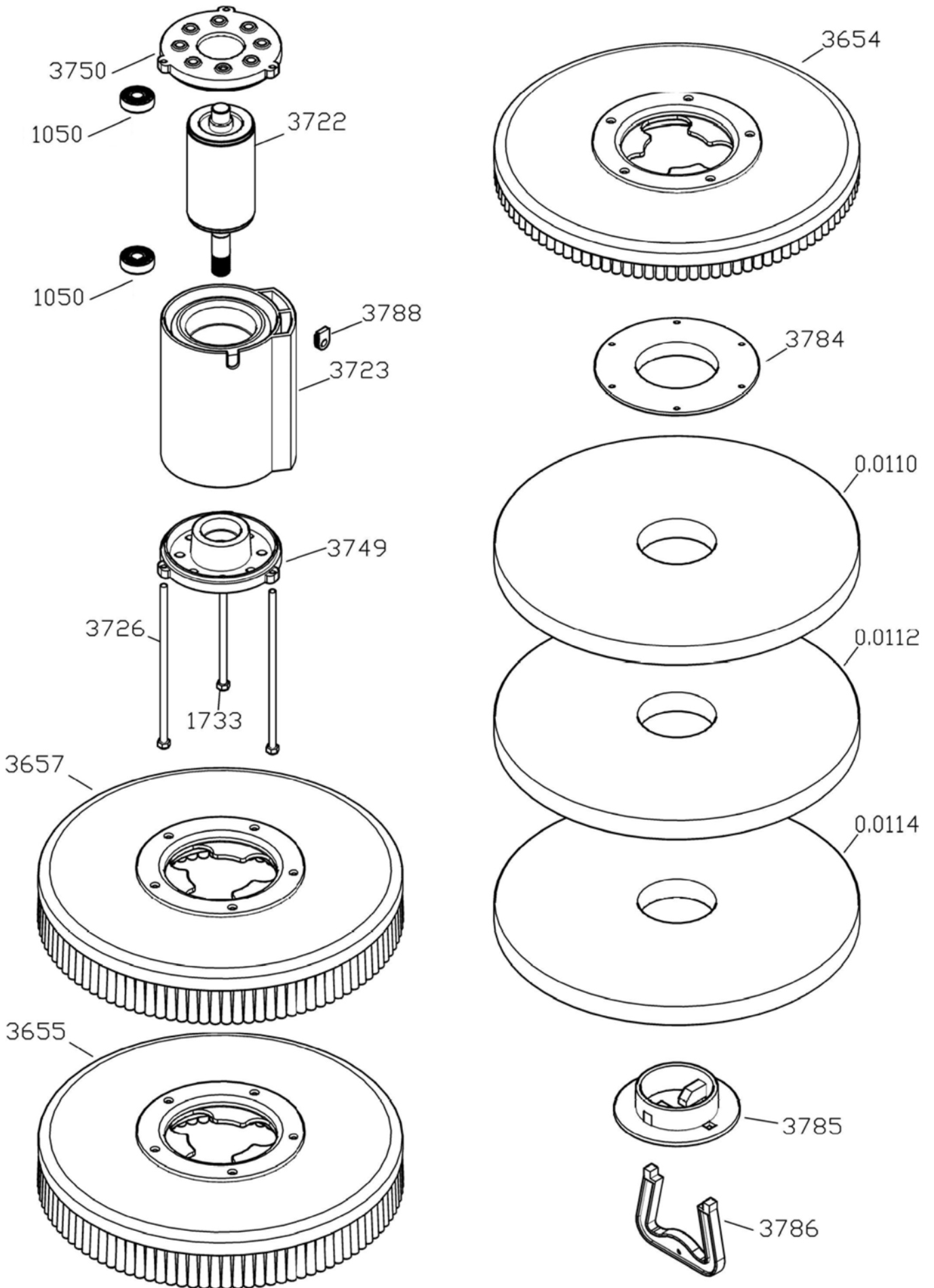


TAVOLA - TABLE

MACCHINA A CAVO - CABLE MACHINE



PARTI DI RICAMBIO - SPARE PARTS

CODICE CODE	Q. TA' Q.TY	TAV. TAB.				
0.0110	1	4	DISCO PAD D.355 14" NERO ALTO		D.355 14" BLACK ABRASIVE DISC	
0.0112	1	4	DISCO PAD D.355 14" VERDE ALTO		D.355 14" GREEN ABRASIVE DISC	
0.0114	1	4	DISCO PAD D.355 14" BIANCO ALTO		D.355 14" WHITE ABRASIVE DISC	
1004	3	1,2	SEEGER E D.9-RS RADIALE 6799		D.9-RS 6799 RADIAL EXTERNAL SEEGER	
1009	2	2	DADO INOX M.4 5588		M.4 5588 STAINLESS STEEL NUT	
1022	1	2	SFERA 3/16"D.4,7 CL,S4		3/16" D.4,7 CL,S4 SPHERE	
1024	1	2	VITE BRUGOLA VSP M.6X16 ZNT 5933		VSP M.6X16 ZNT 5933 SCREW	
1027	2	2	VITE BRUGOLA VSP M.5X14 ZNT 5933		VSP M.5X14 ZNT 5933 SCREW	
1031	2	1	CUSCINETTO 6004 2RS 20-42-12		6004 2RS 20-42-12 BEARING	
1050	2	4	CUSCINETTO 6203 2RS 17-40-42		6203 2RS 17-40-42 BEARING	
1052	2	1	CUSCINETTO 6201 2RS EMQ-HT200 12		6201 2RS EMQ-HT200 12 BEARING	
1067	1	2	SPINA ELASTICA D.4X12 INOX 6873		D.4X12 6873 STAINLESS STEEL ELASTIC THORN	
1068	1	2	SPINA ELASTICA D.4X24 INOX 6873		D.4X24 6873 STAINLESS STEEL ELASTIC THORN	
1105	2	3	VITE AUT.KF 2,9 X 16 ZNT		KF 2,9X16 ZNT SCREW	
1261	2	1	VITE TC CROCE M.4 X 8 INOX		TC M.4X8 STAINLESS STEEL SCREW	
1296	4	2	VITE TC CROCE M.3 X 8 ZNT		TC M.3X8 ZNT SCREW	
1298	1	1	VITE VSP M.8 X 55 ZNT		VSP M.8X55 ZNT SCREW	
1299	3	1,2	VITE TE M.6 X 14 ZNT		TE M.6X14 ZNT SCREW	
1309	1	2	VITE TCEI M.6 X 8 ZNT		TCEI M.6X8 ZNT SCREW	
1355	4	2	VITE AUTOF.KF 4.8 X 19 ZNT		KF 4,8X19 ZNT UNI SCREW	
1364	2	1	FASCETTE BIF.D.14 FA/10140 ZNT		D.14 FA/10140 ZNTWRAPPER	
1504	4	1	RONDELLA PIANA D.5X15 INOX UNI		D.5X15 UNI STAINLESS STEEL PLAIN WASHER	
1511	2	1	VITE VSP M6X12 INOX 5933		VSP M.6X12 5933 STAINLESS STEEL SCREW	
1519	1	1	SEEGER E D.20 DIN 471 ZNT		D.20 DIN 471 ZNT EXTERNAL SEEGER	
1529	2	2	RONDELLA PIANA D.8 X 16 INOX		D.8X16 STAINLESS STEEL WASHER	
1536	4	1	VITE TE M5 X 25 ZNT		M5X25 ZNT SCREW	
1543	4	3	VITE AUT.T.E.7976 F.R.3,9 X 6,5		TE 7976 FR 3,9X6,5 SCREW	
1550	8	1,2	VITE TC CROCE M.4X14 INOX DIN798		TC M4X12 DIN 798 STAINLESS STEEL SCREW	
1555	8	1,2,3	RONDELLA PIANA M.4X12 INOX		D.4X12 6873 STAINLESS STEEL WASHER	
1580	3	1,2	RONDELLA PIANA D.6X18 INOX		D.6X18 STAINLESS STEEL WASHER	
1581	2	1,2	RONDELLA D.6 INOX		D.6X12 STAINLESS STEEL WASHER	
1611	1	1	ANELLO SEEGER I D.42 DIN 472		D.42 DIN 472 INTERNAL SEEGER	
1628	3	2,3	DADO M.5 ZNT UNI 5588		M5 ZNT UNI 5588 NUT	
1701	2	2	VITE TT-QST M 6 X 16 ZNT UNI 573		TT-QST M6X16 ZNT UNI 5731 SCREW	
1702	2	2	VITE TT-QST M.10 X 45 ZNT 5731		TT-QST M10X45 ZNT UNI 5731 SCREW	
1704	2	2	VITE TT-QST M 6 X 12 ZNT UNI5731		TT-QST M6X12 ZNT UNI 5731 SCREW	
1705	2	2	SEEGER E D.5-RS RADIALE 6799		D.5 RS 6799 RADIAL EXTERNAL SEEGER	
1706	1	2	MOL.A TAZZA 18 X 6.2 X 0.7 2093		18X6,2X0,7 - 2093 SPRING	
1707	2	2	MOL.TAZZA 6.2 X 12.5 X 0.7 2093		12,5X6,2X0,7 - 2093 SPRING	
1708	5	1,2,3	FASCETTA A VITE 20/32 NORD M20 Z		20/32 NORD M20 Z JUBILEE CLIP	
1709	2	1	VITE T/T Q.S.T.M.5 X 16 ZNT		TT-QST M5X16 ZNT UNI 5731 SCREW	
1710	2	1	VITE T/T Q.S.T M.5 X 25 ZNT		TT-QST M5X25 ZNT UNI 5731 SCREW	
1712	4	2	DADO BLOCK M3 ZNT		M3 ZNT BLOCK NUT	
1713	1	2	VITE TBEI M.8 X 20 ZNT ISO 7380		TBEI M8X20 ZNT ISO 7380 SCREW	
1714	1	1	GRAFFETTA MET.D.12-13 GW50812		D.12-13 GW50812 METAL STAPLE	
1715	1	2	VITE TC CROCE M.5 X 20 ZNT		TC M5X20 ZNT SCREW	
1718	8	2,3	VITE AUTOF. CROCE 7981 BZ 3,9 X 9,5 ZNT		7982 BZ 3,9X9,5 ZNT SCREW	
1719	3	1	VITE VSP M.5 X 20 ZNT		VSP M5X20 ZNT SCREW	
1721	2	3	VITE AUTOF.KF 2.9 X 9.5 7981 ZNT		KF 2,9X9,5 7981 ZNT SCREW	

PARTI DI RICAMBIO - SPARE PARTS

CODICE CODE	Q. TA' Q.TY	TAV. TAB.		
				
1722	1	2	VITE TBEI M.5 X 14 ZNT ISO 7380	TBEI M5X14 ZNT ISO 7380 SCREW
1723	1	2	VITE TC CROCE M 6 X 25 ZNT	TC M6X25 ZNT SCREW
1724	3	1,3	VITE AUTOF.CROCE 7981 BZ 3.9 X 6	7981 BZ 3,9X6 ZNT SCREW
1725	2	3	VITE AUTOF.CROCE 7981 BZ 3.9 X 1	7982 BZ 3,9X1 ZNT SCREW
1726	4	3	VITE AUTOF.TC D.4.2 X 16 ZNT UNI	TC M4,2X16 ZNT UNI SCREW
1727	1	2	VITE TE M.6 X 8 ZNT	TE M6X8 ZNT SCREW
1728	1	2	VITE TBEI M.4 X 25 ZNT ISO 7380	TBEI M4X25 ZNT ISO 7380 SCREW
1729	2	2	VITE TE M.8 X 20 ZNT 8.8	TE M8X20 ZNT 8.8 SCREW
1731	14	1,2,3	DADO BLOCK M.4 ZNT DIN 985	M4 ZNT DIN 985 BLOCK NUT
1732	15	1,2,3	DADO BLOCK M.5 ZNT DIN 985	M5 ZNT DIN 986 BLOCK NUT
1733	12	1,2,3,4	DADO BLOCK M.6 ZNT DIN 985	M6 ZNT DIN 987 BLOCK NUT
1734	5	1,2,3	DADO BLOCK M.8 ZNT DIN 985	M8 ZNT DIN 988 BLOCK NUT
1735	2	2	DADO BLOCK M.10 ZNT DIN 985	M10 ZNT DIN 989 BLOCK NUT
1736	3	1	VITE VSP M.8 X 25 ZNT	VSP M8X25 ZNT SCREW
1737	2	1	VITE T/T Q.S.T M.5 X 30 ZNT	TT -QST M5X30 ZNT SCREW
1738	2	2	VITE TE M.5 X 14 ZNT	TE M5X14 ZNT SCREW
1739	1	3	VITE TE M 5 X 18 ZNT	TE M5X18 ZNT SCREW
1740	1	3	VITE TC M 4 X 10	TC M4X10 ZNT SCREW
1742	2	2	VITE TE M 4 X 35 ZNT	TE M4X35 ZNT SCREW
3113	1	3	MORSETTIERA EKL 3 POLI	ELECTRICAL CLAMP EKL 3 POLES
3259	1	3	OCCHIELLO PORTA STAFFA D.30	D.30 HANDLE BUTTONHOLE
3260	1	3	STAFFA PROTEZIONE CAVO	CABLE PROTECTION HANDLE
3652	1	2	MOTORE ASPIR.PERIF. H30 230V 200W C/TUBO	H30 230V 200W PHERIPH. ASPIRATION MOTOR
3653	1	1	SPAZZOLA LAVARE CO-355L 0.65 F5Z	CO-355L 0.65 F5Z BRUSH DISC
3654	1	4	DISCO TRASCINATORE CO-355L 1,0 F5Z	CO-355L 1 F5Z PAD HOLDER DISC
3655	1	4	SPAZZOLA TYNEX CO-355 L	CO-355L TYNEX DISC
3657	1	4	SPAZZOLA LAVARE CO355M 0,45 F5Z	CO-355M 0.45 F5Z BRUSH DISC
3658	1	1	CINGHIA POLI PV 790-J-6	POLY PV 790-J-6 BELT
3659	1	1	CORPO VOLANO D.200 COMPLETO DI S	D.200 FLYWHEEL BODY
3660	1	1	PERNO SUPP.VOLANO AVP (BRUNITURA	AVP FLYWHEEL BODY SUPPORT PIN
3661	1	1	CENTRAGGIO SPAZZOLA	BRUSH INSERT
3662	3	1	DISTANZ.X FARFALLA PR-80 D.18	PR-80 D.18 SPACER
3663	1	2	RULLINO CRICCH.ESAG.CH 13	CH.13 ESAGONAL NEEDLE
3664	1	2	BOCCOLA DX BASE MOT.D.12 L.7.5	D.12 L.7,5 BUSHING
3665	1	1	PERNO X TENDICINGH.ESAG.CH.17 X	CH.17 ESAGONAL BELT TIGHTENER PIN
3666	1	2	RACCORDO CURVO F-F 1"	F-F 1" CURVED UNION
3667	1	1	MOLLA TENDICING.TR F.1,5 14.5 LE	TR F.1,5 14,5 LE BELT TIGHTENER SPRING
3668	1	1	BOCC.TENDICING-TERGI AVP D.10 X	AVP D.10 BELT TIGHTENER-WIPER BUSHING
3671	2	2	CHIUSURA A LEVA REGOLAB.NICH.SEN	ADJUSTABLE CLOSING LEVER
3672	2	2	BOCCOLA X COPERCHIO D.12 X 5.8	D.12X5,8 COVER BUSHING
3673	2	2	SUPP.RUOTA AVP D.35 X 17 ZNT GIA	AVP D.35X17 ZNT WHEEL SUPPORT
3674	2	2	RUOTA D.200 BOX 2 FORO 10 2X2RS	D.200 BOX F10 2X2RS WHEEL
3674/2	2	2	COPRIMOZZO G-48 GRIGIO 7016	GREY G-48 7016 WHEEL HOLE COVER
3676	1	2	RACCORDO CURVO X ASPIR.G1 D.28.5	G1 D.28,5 ASPIRATOR CURVED UNION
3677	1	2	PORTAGOMMA DIR.G1 D.28 X TERGI	G1 D.28 WIPER HOSE HOLER
3678	1	2	PORTAGOMMA DIR.G1 D.28 X ASPIR.	G1 D.28 ASPIRATOR HOSE HOLER
3679	1	2	RACC.PORTAG.DRITTO 1" M. D.25	1" M D.25 HOSE HOLER UNION
3680	1	3	TUBO FLESS.SCARICO D.25mm L.500	D.25 L.500 UNLOAD FLEXIBLE PIPE
3681	1	1,2	TUBO FLESS.TERGI D.25 L.750	DD.25 L.750 WIPER FLEXIBLE PIPE

PARTI DI RICAMBIO - SPARE PARTS

CODICE CODE	Q. TA' Q.TY	TAV. TAB.		
3682	1	2	TUBO FLESS D.28 X ASPIRATORE L.7	D.25 L.700 ASPIRATOR FLEXIBLE PIPE
3683	2	2	GUARN.GOMMA SPUGNA AD.D.INT.29 D	AD D.29 SPONGE RUBBER GASKET
3685	1	1	SNODO TERGI D.14.8 X 10	D.14,8X10 WIPER ARTICULATED JOINT
3686	1	1	CARTER SPAZZ.NERO GOFFRATO SP.4	SP.4 BRUSH BLACK CARTER
3687	1	2	CARTER POST.COPERT.MANICO NERO G	POSTERIOR HANDLE BLACK CARTER
3688	1	3	IMPUGN.COMANDI POLIET.LINEARE NE	HANDLE HANDGRIP
3689	1	3	MOLLA X LEVE TR F.0,8 DE.7.5-CM.	TR F.0,8 DE7,5 LEVER SPRING
3690	1	3	COPERCHIO FIL.SERB.SOLUZIONE A/P	SOLUTION TANK COVER
3691	1	3	COPERCHIO SERB. RECUPERO A/S	RECOVERY TANK COVER
3693	1	1	EV SERIE 800 IN/OUT PG.10 NC 230V C/FASTON	S800 IN/OUT PG.10 NC 230V SOLENOID VALVE
3695	2	2	POMELLO PM3/36/FFC-M8	PM3/46/FFC-M8 KNOB
3696	1	2	TELAIO E VANO BATT.	CHASSIS AND BATTERY VAIN
3697	1	2	COPERCHIO BATTERIA	BATTERY VAIN COVER
3698	1	1	BASE ANT.X MOT.SPAZZ.	BRUSH MOTOR BASE
3699	1	2	SOSTEGNO MANICO	HANDLE SUPPORT
3700	1	1	SUPP.ELETTROV.A TELAI0	SOLENOID VALVE SUPPORT
3701	1	3	SUPP.POLO-MOLLA	SPRING SUPPORT
3702	1	2	ECCENTRICO X SERB.AS	RECOVERY TANK ECCENTRIC
3703	1	2	LEVA COM.CRICCHETTO	COMMAND LEVER
3704	1	2	COLL.LEVA A CRICCHETTO	UNION LEVER
3705	1	2	CRICCHETTO DENTATO	TOOTHED LEVER
3706	1	2	LEVA SOLLEV. TERGI	WIPER LIFTING LEVER
3707	1	3	LEVA COM.DX PULS.ARRESTO	SX ARREST SWITCH LEVER
3708	1	3	LEVA COM.SX PULS.ARRESTO	DX ARREST SWITCH LEVER
3709	1	1	STAFFA X TERGI	WIPER BRACKET
3710	1	1	TIMONE TERGI	WIPER RUDDER
3711	1	2	SUPP.ASPIRATORE	ASPIRATOR SUPPORT
3712	1	1	SUPP.TENDICINGHIA	BELT TIGHTENER SUPPORT
3713	1	2	PIASTRINA SNODO TERGI	WIPER ARTICULATED JOINT PLATE
3714	1	1	FARFALLA X TRASCINAMENTO	ENTRAINMENT BUTTERLY
3715	1	2	PERNO ROT.MANICO D.12	D.12 HANDLE ROTATION PIN
3716	1	3	SUPP.RELE-MICRO	RELAIS - MICRO SUPPORT
3718	1	3	QUADRO COMANDO MODELLO CAVO	CABLE MODEL COMMAND PANNEL
3719	1	3	SCATOLA GALLEGGIANTE INOX	STAINLESS STEEL CRAFT BOX
3721	1	2	CAVO SOLL.TERGI COMPLETO	WIPER LIFTING CABLE
3722	1	4	ALBERO MOTORE COMPLETO MODELLO CAVO	CABLE MODEL COMPLETE MOTOR SHAFT
3723	1	4	PACCO STATORE E TUBO AVVOLGIMENTO	STATIVE PACKAGE AND WRAPPING PIPE
3725	1	1	MOLLA X TERGI F.1.5 D.12 LL 31 S	F.15 D.12 LL 31 S WIPER SPRING
3726	3	4	TIRANTE MOTORE D.6 L.193 FIL.M 6X9 6X15 ZNT	D.6 L.193 FIL.M 6X9 6X15 ZNT MOTOR TIGHTENER
3727	1	2	MOLLA X CRICCH.TR F.1,2 D.9.5 CM	F.1,2 D.9,5 CM LEVER SPRING
3728	1	3	PRESSACAVO MAXI BLOCK FIL. LUNGO NERO	BLACK MAXIBLOCK CABLE PRESSER
3729	1	3	CONDENSAT. MF10 D.30 FIL. M8 400/450V	MF10 D.30 FIL. M8 400/450V CONDENSER
3733	1	2	DISTANZ.FISS.SERB.A/S ESAG.CH.10	CH.10 ESAGONAL RECOVERY TANK SPACER
3734	1	3	GALLEGGIANTE PALLINA D.38	D.38 FLOATING BALL
3735	4	1	BOCCOLA X RUOTA TRAF.AVP D.12 ZN	AVP D.12 ZN WHEEL BUCKLE
3736	4	1	RUOTA D.38/40 PLASTICA	D.38/40 PLASTIC WHEEL
3737	1	1	SUPPORTO DX RUOTA INOX	SX STAINLESS STEEL WHEEL SUPPORT
3738	1	1	SUPPORTO SX RUOTA INOX	DX STAINLESS STEEL WHEEL SUPPORT
3739	1	1	FASCIA POST.TERGI INOX	POSTERIOR STAINLESS STEEL WIPER BAND

PARTI DI RICAMBIO - SPARE PARTS

CODICE CODE	Q. TA' Q.TY	TAV. TAB.		
				
3740	1	1	FASCIA ANT.TERGI INOX	ANTERIOR STAINLESS STEEL WIPER BAND
3741	1	1	GOMMA TERGI POST SP.2 ROSSA	SP.2 RED POSTERIOR WIPER RUBBER
3742	1	1	GOMMA TERGI ANT.SP.2 ROSSA	SP.2 RED ANTERIOR WIPER RUBBER
3745	1	1	CORPO TERGI ALL.	ALLUMINIUM WIPER BODY
3746	1	3	APPOGGIO SERBATOIO A/S INOX	STAINLESS STEEL RECOVERY TANK SUPPORT
3747AZ	1	3	SERBATOIO SOLUZ.A/P AZZURRO	LIGHT-BLUE SOLUTION TANK
3747BL	1	3	SERBATOIO SOLUZ.A/P BLU	BLUE SOLUTION TANK
3747GI	1	3	SERBATOIO SOLUZ.A/P GIALLO	YELLOW SOLUTION TANK
3747RO	1	3	SERBATOIO SOLUZ.A/P ROSSO	RED SOLUTION TANK
3747VE	1	3	SERBATOIO SOLUZ.A/P VERDE	GREEN SOLUTION TANK
3748AZ	1	3	SERBATOIO RECUP.A/S AZZURRO	LIGHT-BLUE RECOVERY TANK
3748BL	1	3	SERBATOIO RECUP.A/S BLU	BLUE RECOVERY TANK
3748GI	1	3	SERBATOIO RECUP.A/S GIALLO	YELLOW RECOVERY TANK
3748RO	1	3	SERBATOIO RECUP.A/S ROSSO	RED RECOVERY TANK
3748VE	1	3	SERBATOIO RECUP.A/S VERDE	GREEN RECOVERY TANK
3749	1	4	CALOTTA INFERIORE MOTORE ELETTRICO	ELECTRICAL MOTOR INFERIOR CAP
3750	1	4	CALOTTA SUPERIORE MOTORE ELETTRICO	ELECTRICAL MOTOR SUPERIOR CAP
3755	1	3	VALV.SFERA 1/4 M 1/8 F 40101800G	1/4 M 1/8 F 40101800G SPHERE VALVE
3757	1	1	CURVA X TUBIC.PERNO VOLANO	FLYWHEEL PIVOT PIPE CURVE
3758	1	1	TUBIC.SOL.ATT.RAPID.A ELETTROVAL	RAPID ATTACH-VALVE SOLUTION PIPE
3759	1	1	TUB.SOLUZ.ELETTROV.A VOLANO	VALVE-FLYWHEEL SOLUTION PIPE
3760	1	3	FILTRO COD. NV-99.001	COD. NV-99.001 FILTER
3762	1	3	CAVO EL. H05-WF 3GX1 SP.SHUKO CL/F 16A	H05-WF 3GX1 SP.SHUKO CL/F 16A ELECT.CABLE
3763	1	3	PORTAGOM.M.CONICO 1/8 D.9 373617	1/8 D.9 373617 CONIC HOSE HOLER
3764	1	3	TUBICINO RUB-ATT.RAP.D.8/12 L.15	D.8/12 L.15 FAUCET PIPE
3765	1	3	INNESTO PORTAG.RESCA 8 SERIE 215	8 S215 HOSE HOLER GRAFT
3766	1	1	PRESA ATT.FEMMINA 1/4 SERIE 112	1/4 S112 F TAKING
3767	1	2	PERNO LEVA SERB.A/S AVP D.12 X 1	AVP D.12X1 LEVER PIN
3770	1	3	MICRO INTERRUPTORE 16A 230V	16A 230V MICRO INTERRUPTER
3776	1	1	DISTANZ.SNODO ZNT	ARTICULATED JOINT SPACER ZNT
3777	1	2	MOLLA FILO D.0.8 D.4.3 L.6 C.72	D.0,8 D.4,3 L.6 C.72 SPRING
3780	1	3	DEFLETTORE ASP. TERGI INOX	STAINLESS STEEL ASPIRATION DEFLECTOR
3781	1	1	MOTORE SPAZZOLE COMPLETO MODELLO CAVO	CABLE MODEL BRUSHES COMPL. MOTOR
3782	3	3	INTERRUPTORE BIPOLARE LUMINOSO 230V	230V BIPOLAR BRIGHT INTERRUPTER
3783	1	3	TUBO TRASPARENTE D. 6/9 L.60	D.6/9 L.60 PIPE
3784	1	4	CORPO FILETTATO FEMMINA PER TRASCINAT.	PAD HOLDER DISC FEMALE BODY HANDLE
3785	1	4	CORPO FILETTATO MASCHIO PER TRASCINAT.	PAD HOLDER DISC MALE BODY
3786	1	4	MANIGLIA X INSER.CORPO.FIL.FEMM. X TRASCIN.	PAD HOLDER DISC FEMALE BODY HANDLE
3788	1	4	PRESSACAVO TUBO MOTORE ELETTRICO	ELECTRICAL MOTOR PIPE CABLE PRESSER
3789	1	3	INTERRUPTORE TERMICO K700 5A	K700 5A THERMIC INTERRUPTER
6024	1	3	OCCHIELLO D.6 MA A-16-2 ZNT	D.6 MA A-16-2 ZNT BUTTONHOLE
6072	1	3	SEGNALATORE LUMINOSO MD-11 VERDE 230V	MD-11 230V BRIGHT GREEN SIGNALLER
6084	1	1	PORTAGOMMA M. CONICO 1/4 D.9	M1/4 D.9 CONIC HOSE HOLER
6141	1	3	CONDENSATORE ANTIDISTURBO	ANTI-TROUBLE CONDENSER